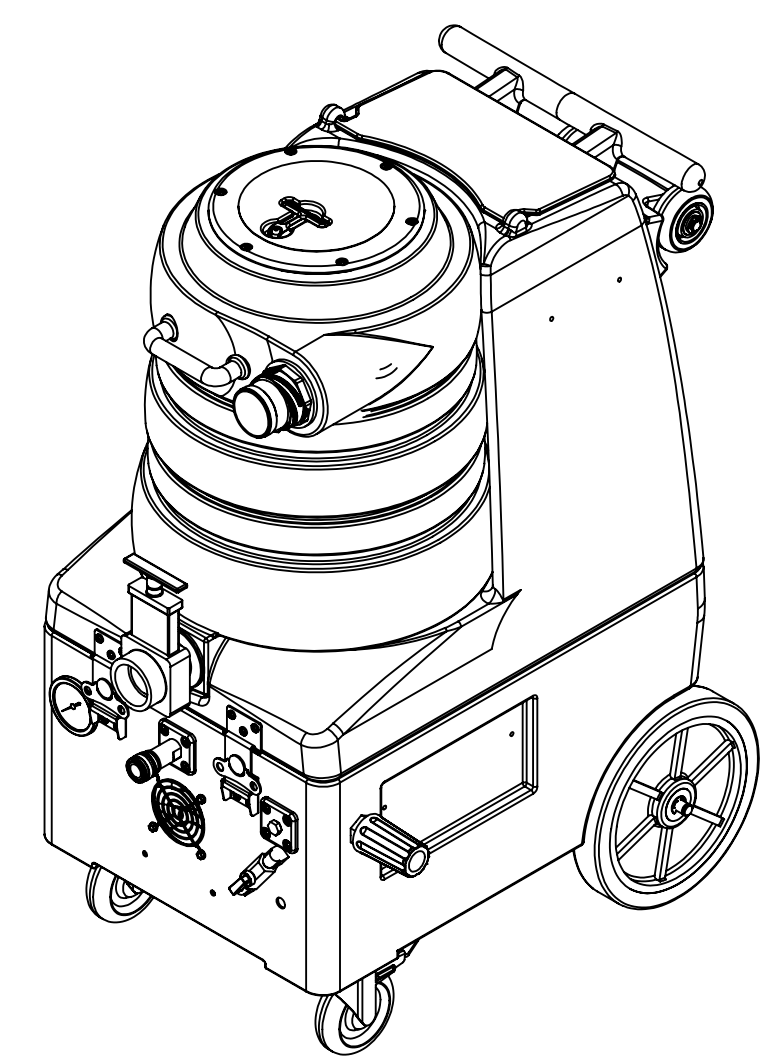


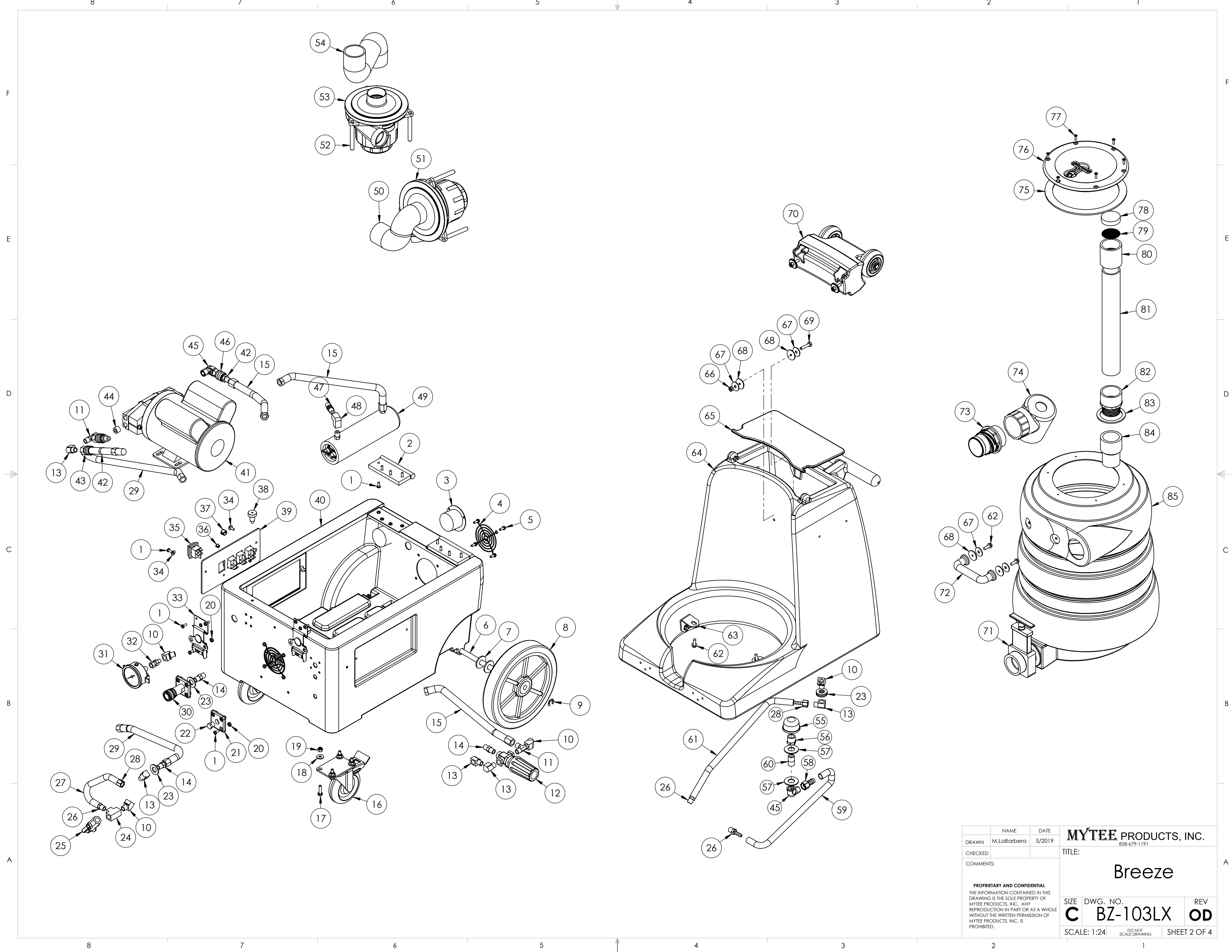
ITEM NO.	PART NO.	DESCRIPTION	QTY.
1	H230	screw, 10-32 x 1/2" phil pan head, s/s	40
2	H487	bracket, hinge	2
3	E360	flanged male inlet recaptacle, 230V, 20A	2
4	H296	guard, cooling fan, wire	2
5	H343	screw, #10 x 5/8" hex head zinc	8
6	H371	axle, 18.03" x .50" dia	1
7	H254	washer, axle, cut 1/2" id	4
8	H392	wheel, 10"	2
9	H042	c-clip, 12mm, external	2
10	B130	45 deg. street elbow, brass, 1/4" male NPTF	4
11	B135	tee, 1/4" mpt x 1/4" mpt x 1/4" mpt	2
12	C313C	regulator, 450 psi, silver spring	1
13	B103	elbow, brass, 90 deg, 1/4"mpt x 1/4" fpt	6
14	B107	nipple, brass, 1/4"m, hex	4
15	AH103	hose, pulse, 3/8" x 14.5", 1/4 FSW x 1/4 FPT	1
16	H668	caster, 4", black hub & gray tread	2
17	H342	bolt, 1/4-20 x 1" hex head, s/s	8
18	H210	washer, 1/4" flat, s/s	8
19	H216	nut, lock, 1/4-20, nylon insert, s/s	8
20	H273	nut, kep, #10-32 zinc	16
21	H484	plate, mounting, QD	2
22	B127	plug, brass, 1/4"mpt, hex	1
23	H212	flat washer, 9/16"ID x 1 1/16"OD, AN960-C916	5
24	B113	tee, 1/4" fpt x 1/4" fpt x 1/4" fpt	1
25	B656	valve, ball, 1/4" fpt x 1/4" fpt, s/s	1
26	B109	barb, 1/4" barb x 1/4" mpt	3
27	PH615	sol hose, 1/2" kuri 100psi	1
28	B110	adapter, brass, 1/4" sw barb x 1/4" fpt, w/gasket	2
29	AH184	hose, 3/8" x 10", (OAL), f x fsw, surge, 1600psi	1
30	B102	qd, brass, 1/4" f x 1/4" fpt	1
31	H308D	gauge, pressure, 2000 PSI	1
32	B311	adapter, swivel, 1/8" mpt x 1/8" fsw	1
33	H486	latch, front, set, large	2
34	H289	washer, 10 flat, s/s	2
35	E515	switch, rocker, 2 position	4
36	H422	plug, dome 3/8", black	2
37	H434	plug, vent, heyco, 1/2"	1
38	G068	bumper, 7/8" x 1/4" head	2
39	H641-DIY	plate, switch	1
40	P696	base, breeze	1
41	C343	pump, 800psi	1
42	B260A	quick disconnect, 1/4" mqd x mpt, open-spray	4
43	B259A	qd, brass, 1/4" fqd x fpt	3
44	B246	plug, brass, 3/8" mpt, hex	1
45	B186	elbow, 90 deg street, 3/8"mpt x 3/8" fmpt	3
46	B259	qd, brass, 1/4" fqd x mpt	1
47	B108	valve, brass, 1/4" check	1
48	B207	elbow, brass, 90 deg, 1/4" fpt x 1/4" fpt	1
49	A901	heater, 1000wt, 115v	1
50	PH628-10	vac hose, 2", black, wire reinforced	1
51	C347	vac motor, lx, hybrid, 173 cfm, 120v	1
52	H503	vac support, 3 stage, 3.25", no thrds	6
53	C348	vac motor, lx, hybrid, w/inlet tube, 173 cfm, 120v	1
54	PH628-10	vac hose, 2", black, wire reinforced	1
55	B119A	filter, strainer, 1/2" fpt	1
56	B210	bushing, brass, 1/2"mpt x 3/8" fpt, hex	1
57	H299	washer, 11/16" id x 1-1/2" od x .075, s/s	2
58	B160	adapter, brass, 1/2" barb x 3/8" fsw, ball end	1
59	PH615	sol hose, 1/2" kuri 100psi	1
60	B216	nipple, brass, 3/8" x close	1
61	PH615	sol hose, 1/2" kuri 100psi	1
62	H768	bolt, 1/4-20 x 3/4" serrated hex flange, zinc	6

ITEM NO.	PART NO.	DESCRIPTION	QTY.
63	H390A	bracket, "L", 2" x 2"	2
64	P697	sol tank, breeze	1
65	G062	lid, sol tank	1
66	H215	nut, hex, 1/4-20 s/s	1
67	H211	washer, 1/4" id x 1" od, flat, s/s	4
68	G052	washer, buna 1-1/8" od x 3/16" id	4
69	H203	bolt, 1/4-20 x 1-1/4"	1
70	A145	Handle, Wheel Kit, LTD	1
71	H225	valve, drain, 1-1/2"	1
72	H485	handle, aluminum grip, black	1
73	H135	Cuff-Lynx, 2" m cuff x 2" mpt	1
74	A926	elbow, inlet assembly 2"	1
75	G091	gasket, 7", vac lid	1
76	G090	lid, vac tank, clear, 7"	1
77	H304	screw, #8 x 5/8 phil oval, s/s	6
78	G003	filter, foam, 2", vac stack, 1/2"	1
79	G097	filter, screen mesh, 1.90" dia	1
80	P502	adapter, 1.5" pvc, fslip x fslip	1
81	PH633-13	pipe, pvc, 1-1/2"	1
82	P520	adapter, 1.5" mpt pvc	1
83	G002	gasket, cam fitting polyethylene, 2.35" OD 1.90" ID	1
84	H300	cuff, hose, 1-1/2 x 1-1/2, wire	1
85	P698	vac tank, breeze	1

REVISIONS			
REV.	DESCRIPTION	DATE	APPROVED
OD	ORIGINAL DRAFT		JFL

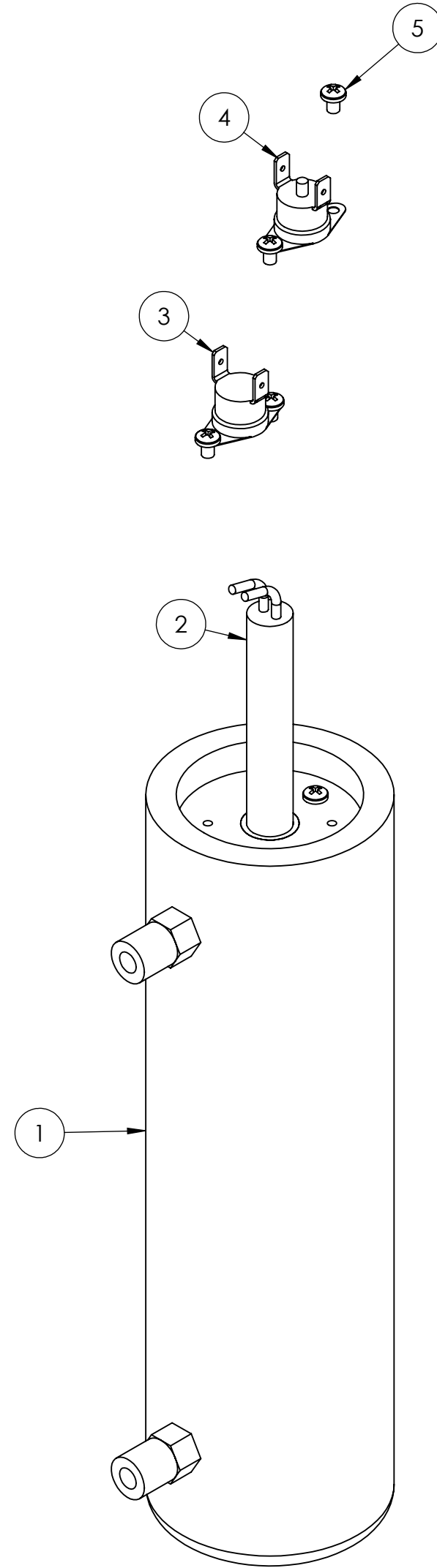


NAME	DATE	MYTEE PRODUCTS, INC. 858-679-1191	
DRAWN M.LaBarbera	5/2019	TITLE: Breeze	
CHECKED		SIZE DWG. NO.	REV
COMMENTS:		C BZ-103LX	OD
<small>PROPRIETARY AND CONFIDENTIAL THE INFORMATION CONTAINED IN THIS DRAWING IS THE SOLE PROPERTY OF MYTEE PRODUCTS, INC. ANY REPRODUCTION IN PART OR AS A WHOLE WITHOUT THE WRITTEN PERMISSION OF MYTEE PRODUCTS, INC. IS PROHIBITED.</small>		SCALE: 1:24	DO NOT SCALE DRAWING SHEET 1 OF 4



	NAME	DATE	MYTEE PRODUCTS, INC. 858-679-1191	
DRAWN	M.LaBarbera	5/2019	TITLE:	
CHECKED			Breeze	
COMMENTS:			SIZE	DWG. NO.
PROPRIETARY AND CONFIDENTIAL THE INFORMATION CONTAINED IN THIS DRAWING IS THE SOLE PROPERTY OF MYTEE PRODUCTS, INC. ANY REPRODUCTION IN PART OR AS A WHOLE WITHOUT THE WRITTEN PERMISSION OF MYTEE PRODUCTS, INC. IS PROHIBITED.			C	BZ-103LX
			SCALE: 1:24	REV OD
			DO NOT SCALE DRAWING	SHEET 2 OF 4

ITEM NO.	PART NO.	DESCRIPTION	QTY.
1	H903A	heater, aluminum cast, single	1
2	E519	heating rod, 1000W, 115V	1
3	E573	Thermostat, 200°, Auto, 1/4"	1
4	E574	Thermostat, 310°F ± 10°F, Manual, 1/4"	1
5	H274	screw, 6 x 3/16, phil pan head, self-tapping	5



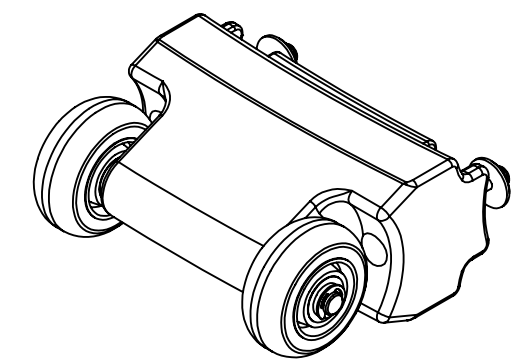
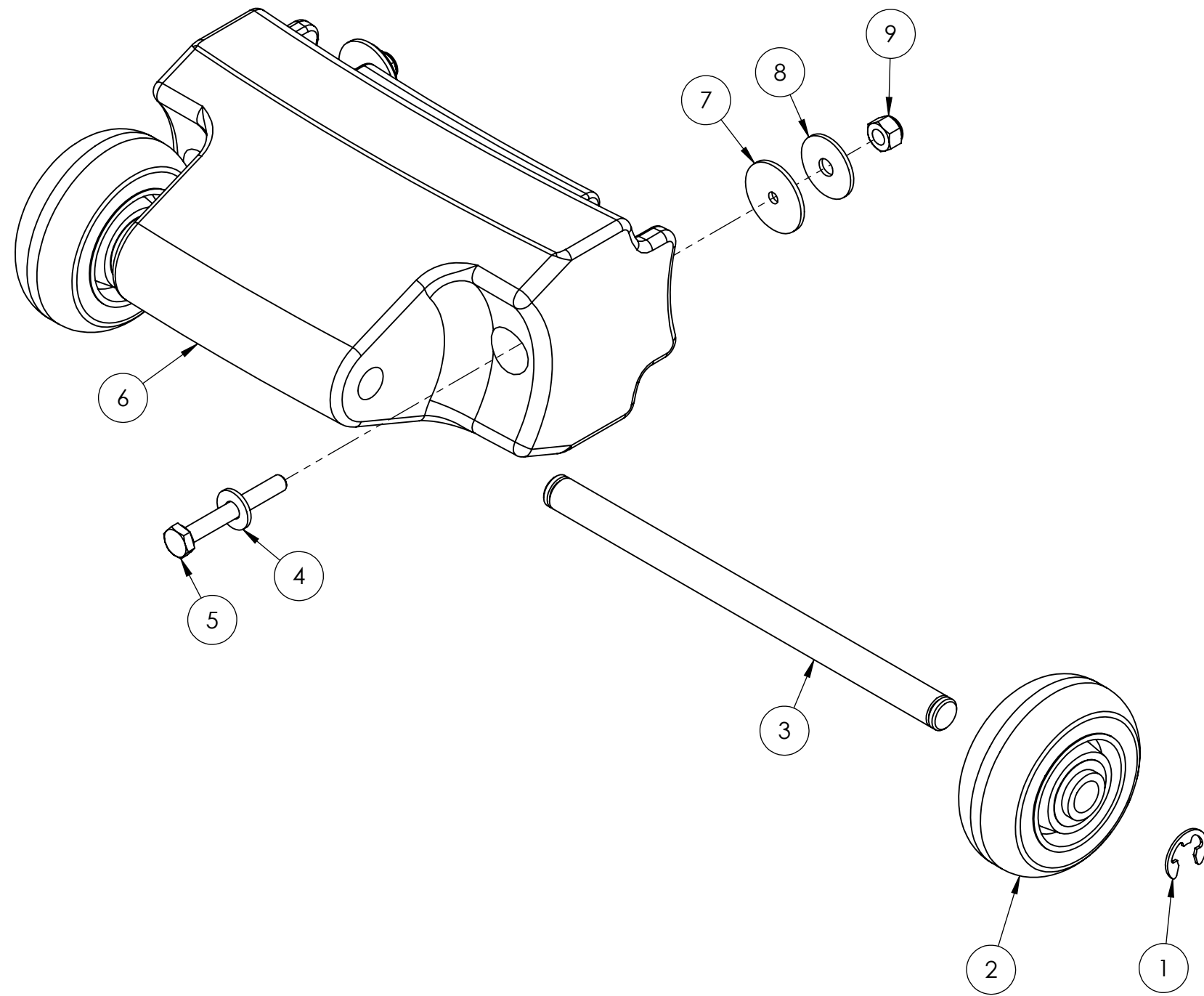
PROPRIETARY AND CONFIDENTIAL
 THE INFORMATION CONTAINED IN THIS DRAWING IS THE SOLE PROPERTY OF MYTEE PRODUCTS, INC. ANY REPRODUCTION IN PART OR AS A WHOLE WITHOUT THE WRITTEN PERMISSION OF MYTEE PRODUCTS, INC. IS PROHIBITED.

UNLESS OTHERWISE SPECIFIED:		NAME	DATE
DIMENSIONS ARE IN INCHES TOLERANCES:	DRAWN	M. LaBarbera	10/2012
ANGULAR: MACH ± .5°	CHECKED		
ONE PLACE DECIMAL ±.03	COMMENTS:		
TWO PLACE DECIMAL ±.05			
THREE PLACE DECIMAL ±.003			
MATERIAL			
FINISH			

MYTEE PRODUCTS, INC. <small>858-679-1191</small>		
TITLE:		
heater, 1000wt, 115v		
SIZE	DWG. NO.	REV
C	BZ-103LX	OD
SCALE: 1:4	DO NOT SCALE DRAWING	SHEET 3 OF 4

ITEM NO.	PART NO.	DESCRIPTION	QTY.
1	H042	c-clip, 12mm, external	2
2	H358B	wheel, 3"	2
3	H507	axle, 7.94" x .50" dia	1
4	H210	washer, 1/4" flat, s/s	2
5	H169	bolt, 1/4-20 x 2", hex head	2
6	P650	wheel handle, LTD	1
7	G052	washer, buna 1-1/8" od x 3/16" id	2
8	H211	washer, 1/4" id x 1" od, flat, s/s	2
9	H216	nut, lock, 1/4-20, nylon insert, s/s	2

REVISIONS			
REV.	DESCRIPTION	DATE	APPROVED
OD	ORIGINAL DRAFT	3/2019	JFL



	NAME	DATE	MYTEE PRODUCTS, INC. 858-679-1191	
DRAWN	M.LaBarbera	3/2019	TITLE: Handle, Wheel Kit, LTD	
CHECKED			SIZE	DWG. NO.
COMMENTS:			C	BZ-103LX
<small>PROPRIETARY AND CONFIDENTIAL THE INFORMATION CONTAINED IN THIS DRAWING IS THE SOLE PROPERTY OF MYTEE PRODUCTS, INC. ANY REPRODUCTION IN PART OR AS A WHOLE WITHOUT THE WRITTEN PERMISSION OF MYTEE PRODUCTS, INC. IS PROHIBITED.</small>			SCALE: 1:4	DO NOT SCALE DRAWING
			SHEET 4 OF 4	REV OD