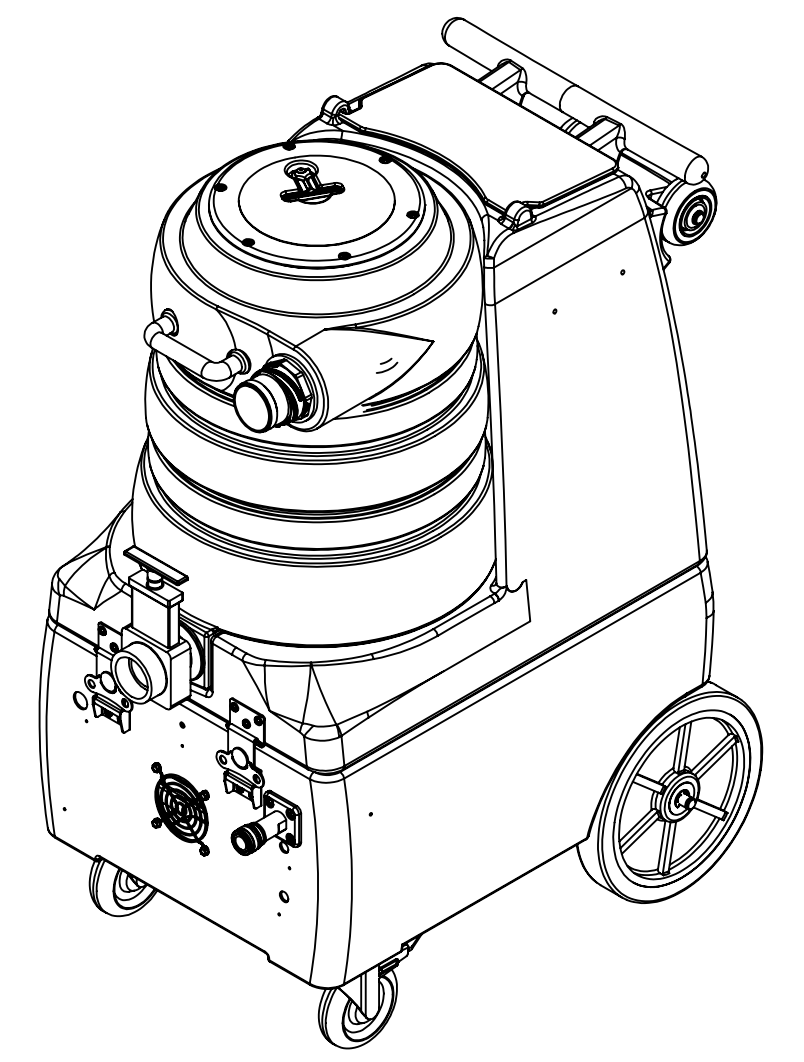


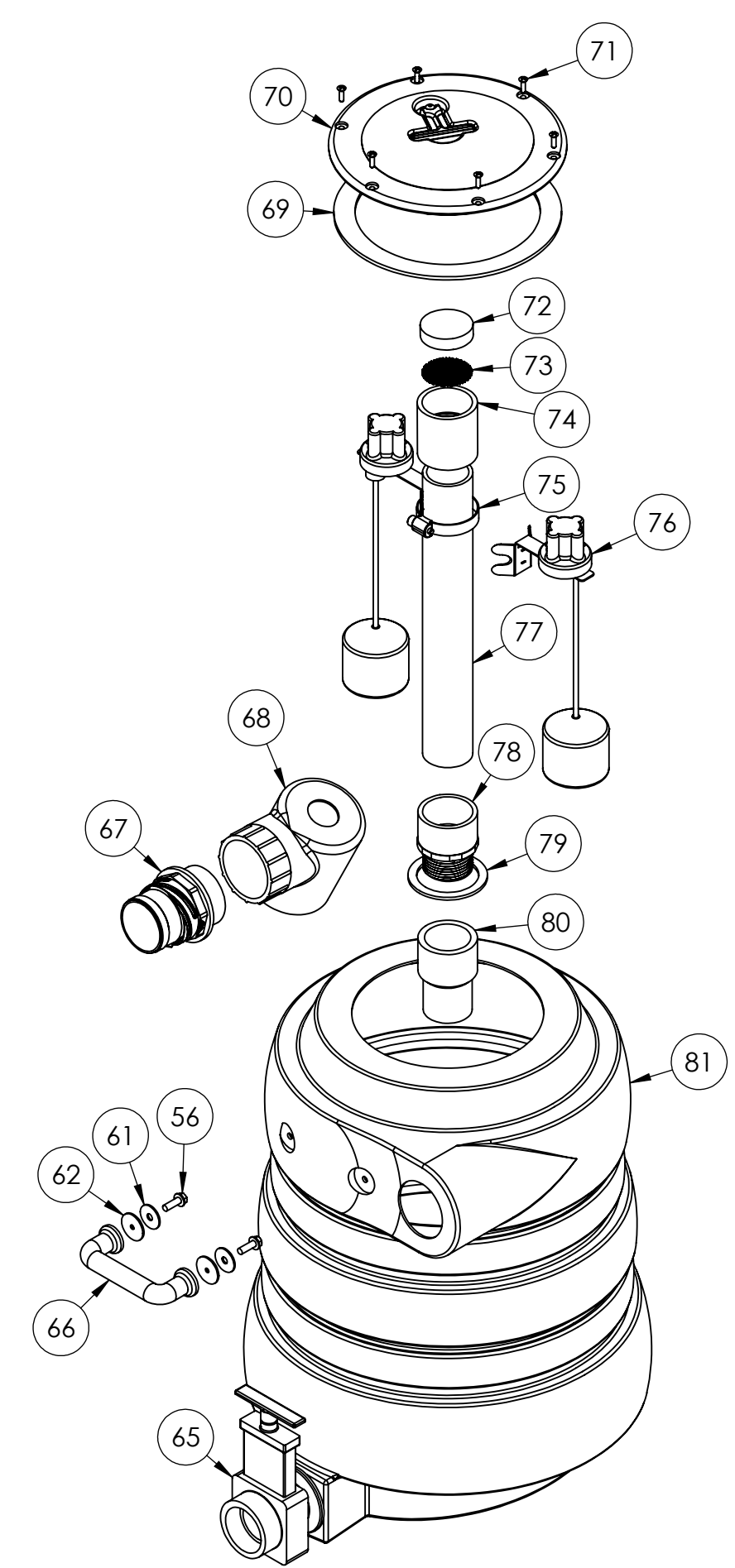
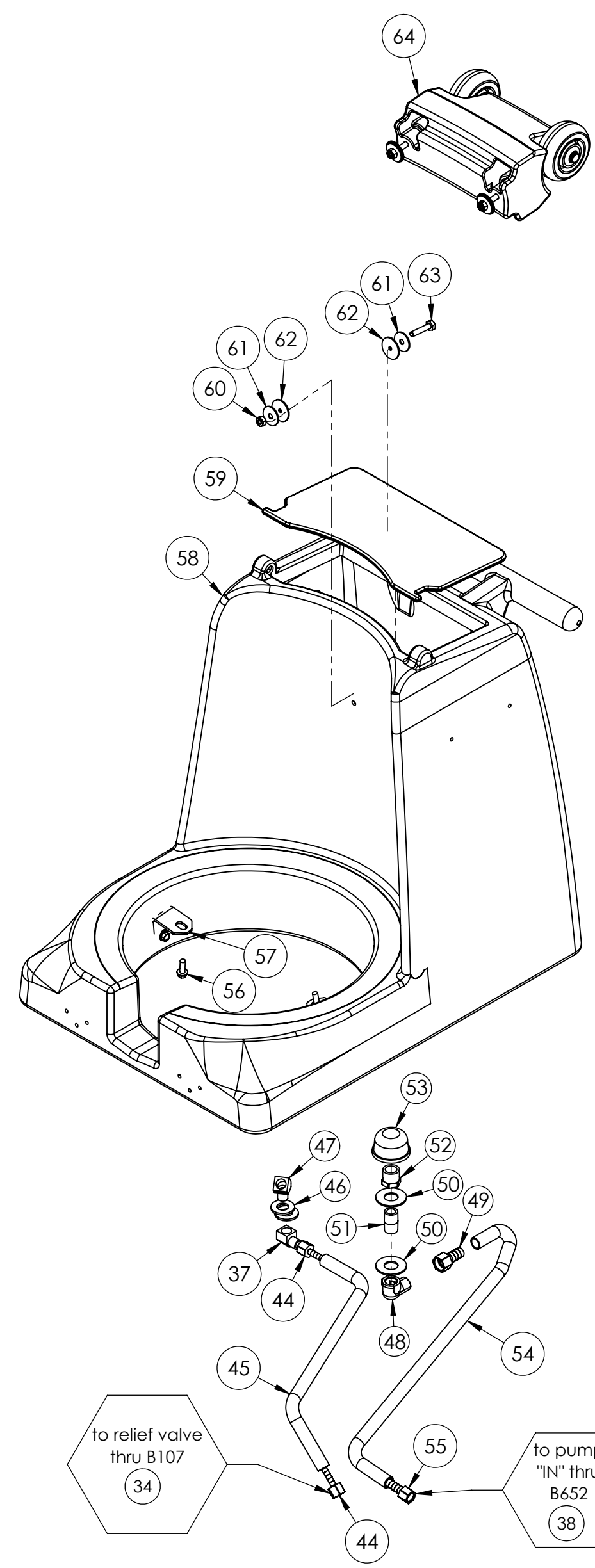
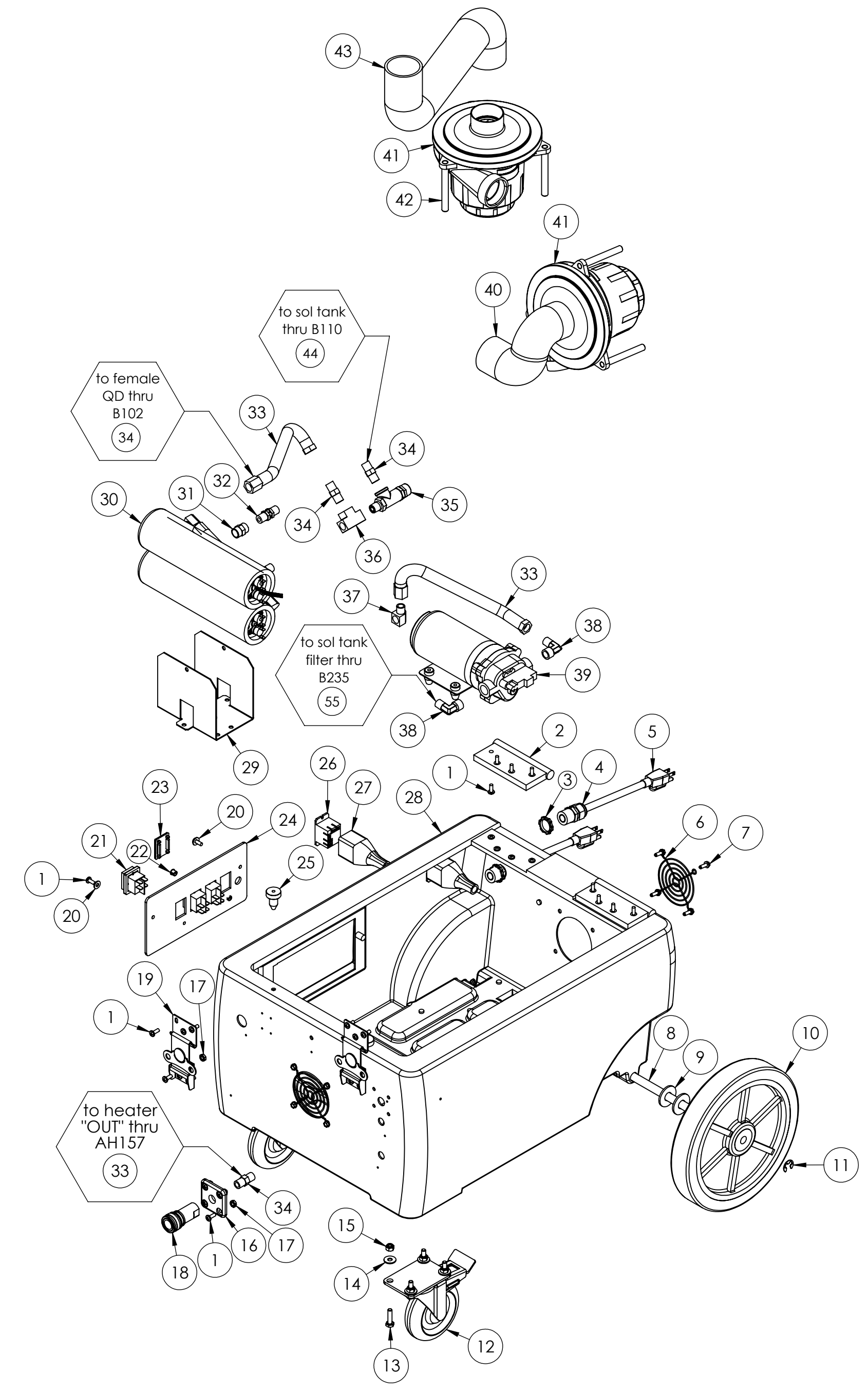
ITEM NO.	PART NO.	DESCRIPTION	QTY.
1	H230	screw, 10-32 x 1/2" phil pan head, s/s	36
2	H487	bracket, hinge	2
3	H221	nut, lock, 1/2" steel, electrical	2
4	H220	fitting, strain relief, cord	2
5	E550	power cord, male end, blue lit, 25', 12/3, sjtw solid jacket	2
6	H296	guard, cooling fan, wire	2
7	H343	screw, #10 x 5/8" hex head zinc	8
8	H371	axle, 18.03" x .50" dia	1
9	H254	washer, axle, cut 1/2" id	4
10	H392	wheel, 10"	2
11	H042	c-clip, 12mm, external	2
12	H668	caster, 4", black hub & gray tread	2
13	H342	bolt, 1/4-20 x 1" hex head, s/s	8
14	H210	washer, 1/4" flat, s/s	8
15	H216	nut, lock, 1/4-20, nylon insert, s/s	8
16	H484	plate, mounting, QD	1
17	H273	nut, kep, #10-32 zinc	12
18	B102	quick disconnect, 1/4" fqd x 1/4" fpt	1
19	H486	latch, front, set, large	2
20	H289	washer, 10 flat, s/s	2
21	E515	switch, rocker, 2 position	3
22	H422	plug, dome 3/8", black	2
23	P967A	plug, switch	1
24	H641-DIY	plate, switch	1
25	G068	bumper, 7/8" x 1/4" head	2
26	E632	relay, shut-off switch, mechanical float, 115v	2
27	G165	cover, relay	2
28	P696	base, breeze	1
29	H528	bracket, heater mounting, dual	1
30	A908	heater, 1600wt, 115v	1
31	B142A	coupling, brass, 1/4" fpt x 1/4" fpt	1
32	B108	valve, brass, 1/4" check	1
33	AH157	hose, 3/8" x 9" (OAL), f x fsw	1
34	B107	nipple, hex, 1/4"mpt x 1/4"mpt	3
35	B118	valve, brass, relief, 500 psi	1
36	B113	tee, 1/4" fpt x 1/4" fpt x 1/4" fpt	1
37	B103	elbow, 90 deg street, 1/4"mpt x 1/4" fpt	2
38	B652	elbow, 90 deg, 3/8"mpt x 1/4"mpt	2
39	C322	pump, 200psi, piston 115V	1
40	PH628-10	vac hose, 2", black, wire reinforced	1
41	C348A	vac motor, lx, hybrid, w/inlet tube, 173 cfm, 230v	2
42	H503	vac support, 3 stage, 3.25", no thrds	6
43	PH628-10	vac hose, 2", black, wire reinforced	1
44	B110	adapter, brass, 1/4" sw barb x 1/4" fpt, w/gasket	2
45	PH615	sol hose, 1/2" kuri 100psi	1
46	H212	flat washer, 9/16"ID x 1 1/16"OD, AN960-C916	2
47	B130	45 deg, street elbow, brass, 1/4" male NPTF	1
48	B186	elbow, 90 deg street, 3/8"mpt x 3/8" fmpt	1
49	B160	adapter, brass, 1/2" barb x 3/8" fsw, ball end	1
50	H299	washer, 11/16" id x 1-1/2" od x .075, s/s	2
51	B216	nipple, brass, 3/8" x close	1
52	B210	bushing, brass, 1/2"mpt x 3/8" fpt, hex	1
53	B119A	filter, strainer, 1/2" fpt	1
54	PH615	sol hose, 1/2" kuri 100psi	1
55	B235	adapter, brass, 3/8" barb x 1/4" fsw	1
56	H768	bolt, 1/4-20 x 3/4" serrated hex flange, zinc	6
57	H390A	bracket, "L"	2
58	P697	sol tank, breeze	1
59	G062	lid, sol tank	1
60	H215	nut, hex, 1/4-20 s/s	1
61	H211	washer, 1/4" id x 1" od, flat, s/s	4
62	G052	washer, buna 1-1/8" od x 3/16" id	4

ITEM NO.	PART NO.	DESCRIPTION	QTY.
63	H203	bolt, 1/4-20 x 1-1/4"	1
64	A145	Handle, Wheel Kit, LTD	1
65	H225	valve, drain, 1-1/2"	1
66	H485	handle, aluminum grip, black	1
67	H135	Cuff-Lynx, 2" m cuff x 2" mpt	1
68	A926	elbow, inlet assembly 2"	1
69	G091	gasket, 7", vac lid	1
70	G090	lid, vac tank, clear, 7"	1
71	H304	screw, #8 x 5/8 phil oval, s/s	6
72	G003	filter, foam, 2", vac stack, 1/2"	1
73	G097	filter, screen mesh, 1.90" dia	1
74	P502	adapter, 1.5" pvc, fslip x fslip	1
75	H217	clamp, hose, 2-1/4 dia	1
76	E400	switch, mechanical float, for pumpout	2
77	PH633-13	pipe, pvc, 1-1/2"	1
78	P520	adapter, 1.5" mpt pvc	1
79	G002	gasket, cam fitting polyethylene, 2.35" OD 1.90" ID	1
80	H300	cuff, hose, 1-1/2 x 1-1/2, wire	1
81	P698	vac tank, breeze	1

REVISIONS			
REV.	DESCRIPTION	DATE	APPROVED
OD	ORIGINAL DRAFT		JFL

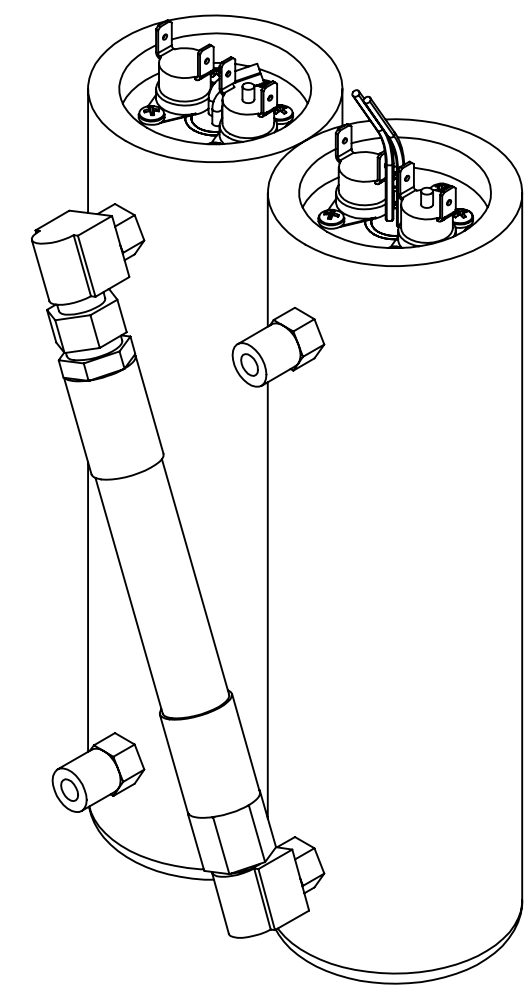
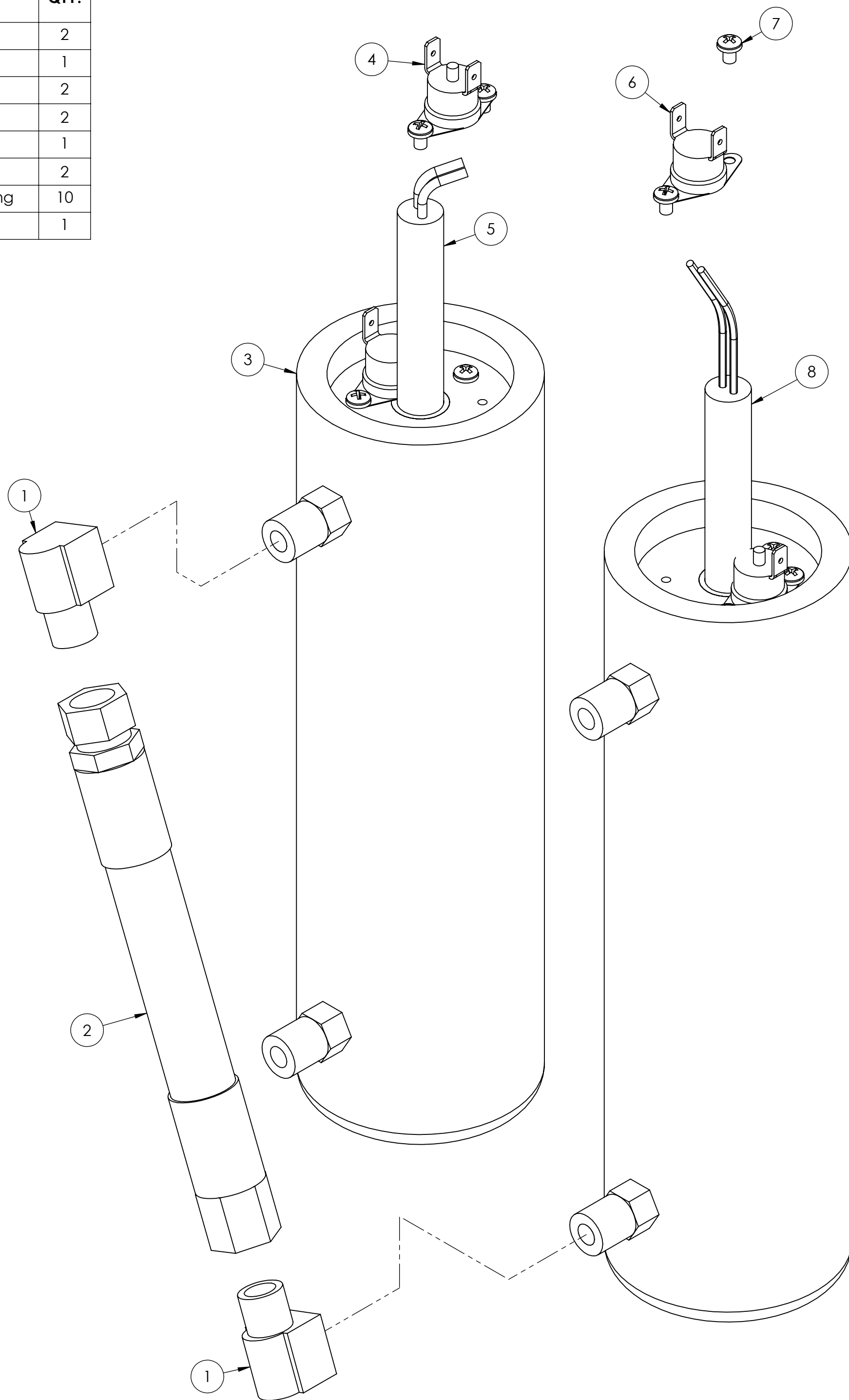


NAME	DATE	MYTEE PRODUCTS, INC. <small>858-679-1191</small>
DRAWN M.LaBarbera	5/2019	
CHECKED		TITLE:
COMMENTS:		Breeze
<small>PROPRIETARY AND CONFIDENTIAL THE INFORMATION CONTAINED IN THIS DRAWING IS THE SOLE PROPERTY OF MYTEE PRODUCTS, INC. ANY REPRODUCTION IN PART OR AS A WHOLE WITHOUT THE WRITTEN PERMISSION OF MYTEE PRODUCTS, INC. IS PROHIBITED.</small>		SIZE DWG. NO. REV C BZ-102LXH OD
SCALE: 1:24		DO NOT SCALE DRAWING
		SHEET 1 OF 4



NAME	DATE	MYTEE PRODUCTS, INC.	
DRAWN M.LaBarbera	5/2019	858-679-1191	
CHECKED		TITLE:	
COMMENTS:		Breeze	
PROPRIETARY AND CONFIDENTIAL THE INFORMATION CONTAINED IN THIS DRAWING IS THE SOLE PROPERTY OF MYTEE PRODUCTS, INC. ANY REPRODUCTION IN PART OR AS A WHOLE WITHOUT THE WRITTEN PERMISSION OF MYTEE PRODUCTS, INC. IS PROHIBITED.		SIZE DWG. NO. BZ-102LXH-230D	REV SHEET 2 OF 4
SCALE: 1:24		DO NOT SCALE DRAWING	

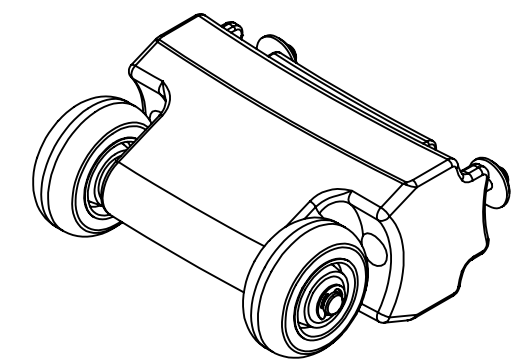
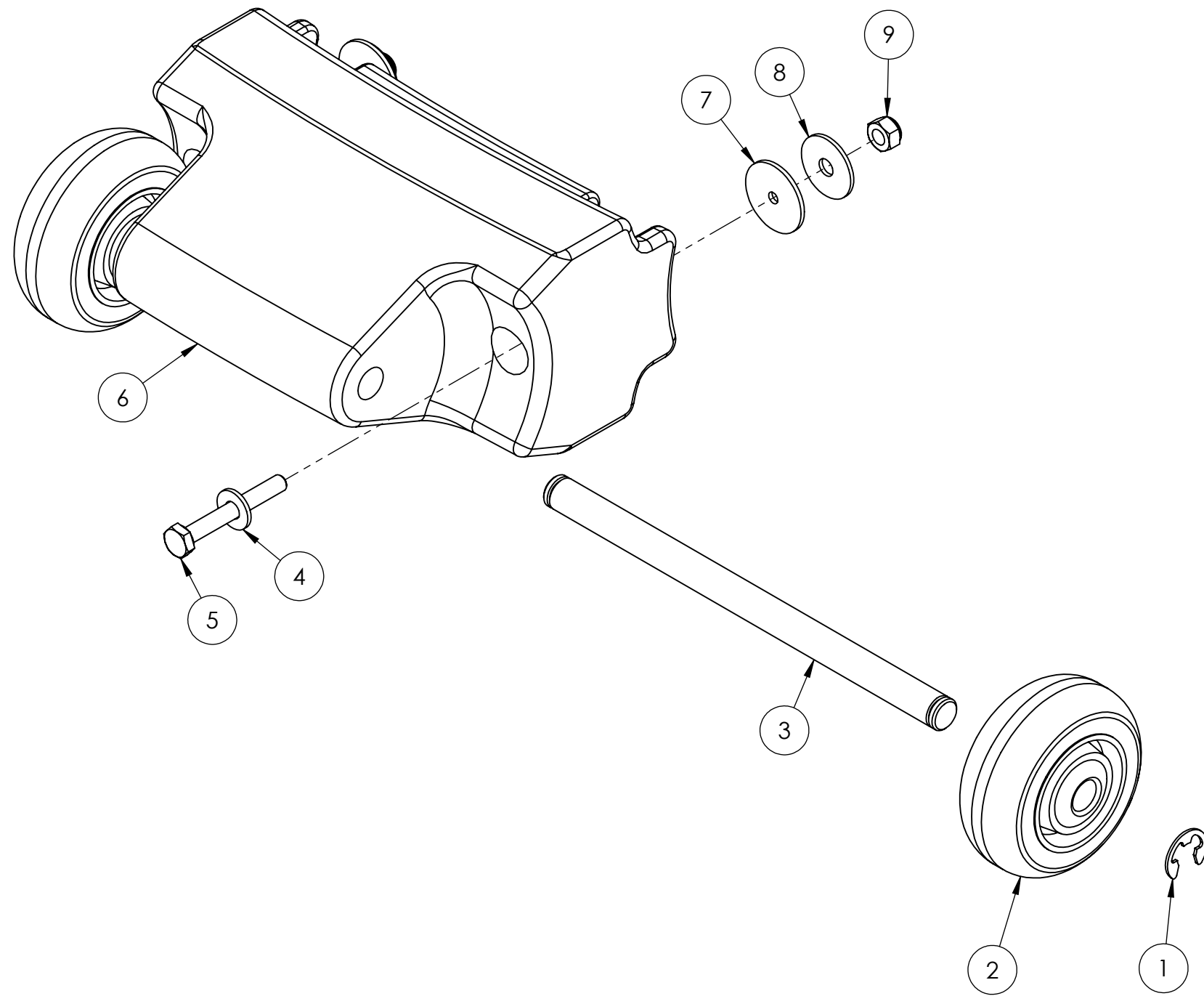
ITEM NO.	PART NO.	DESCRIPTION	QTY.
1	B103	elbow, 90 deg street, 1/4"mpt x 1/4" fpt	2
2	AH156	hose, 3/8" x 6.5" (OAL), f x fs, 5400 gray	1
3	H903A	heater, aluminum cast, single	2
4	E574	Thermostat, 310°F ± 10°F, Manual, 1/4"	2
5	E519	heating rod, 1000W, 115V	1
6	E573	Thermostat, 200°, Auto, 1/4"	2
7	H274	screw, 6 x 3/16, phil pan head, self-tapping	10
8	E571	heating rod, 600W, 115V	1



	NAME	DATE	MYTEE PRODUCTS, INC. 858-679-1191
DRAWN	M. LaBarbera	1/2020	
CHECKED			TITLE: heater, 1600wt, 115v
<small>PROPRIETARY AND CONFIDENTIAL THE INFORMATION CONTAINED IN THIS DRAWING IS THE SOLE PROPERTY OF MYTEE PRODUCTS, INC. ANY REPRODUCTION IN PART OR AS A WHOLE WITHOUT THE WRITTEN PERMISSION OF MYTEE PRODUCTS, INC. IS PROHIBITED.</small>			SIZE DWG. NO. REV BZ-102LXH-230D
SCALE: 2:2		DO NOT SCALE DRAWING	SHEET 3 OF 4

ITEM NO.	PART NO.	DESCRIPTION	QTY.
1	H042	c-clip, 12mm, external	2
2	H358B	wheel, 3"	2
3	H507	axle, 13.10" x .50" dia	1
4	H210	washer, 1/4" flat, s/s	2
5	H169	bolt, 1/4-20 x 2", hex head	2
6	P650	wheel handle, LTD	1
7	G052	washer, buna 1-1/8" od x 3/16" id	2
8	H211	washer, 1/4" id x 1" od, flat, s/s	2
9	H216	nut, lock, 1/4-20, nylon insert, s/s	2

REVISIONS			
REV.	DESCRIPTION	DATE	APPROVED
OD	ORIGINAL DRAFT	3/2019	JFL



	NAME	DATE	MYTEE PRODUCTS, INC. 858-679-1191	
DRAWN	M.LaBarbera	3/2019	TITLE: Handle, Wheel Kit, LTD	
CHECKED			SIZE	DWG. NO.
COMMENTS:			BZ-102LXH-230D	
<small> PROPRIETARY AND CONFIDENTIAL THE INFORMATION CONTAINED IN THIS DRAWING IS THE SOLE PROPERTY OF MYTEE PRODUCTS, INC. ANY REPRODUCTION IN PART OR AS A WHOLE WITHOUT THE WRITTEN PERMISSION OF MYTEE PRODUCTS, INC. IS PROHIBITED. </small>			SCALE: 1:4	DO NOT SCALE DRAWING
			SHEET 4 OF 4	REV